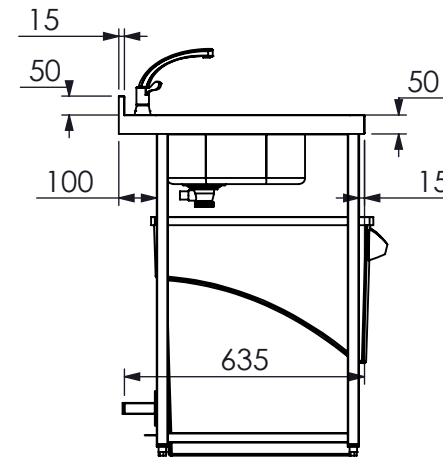
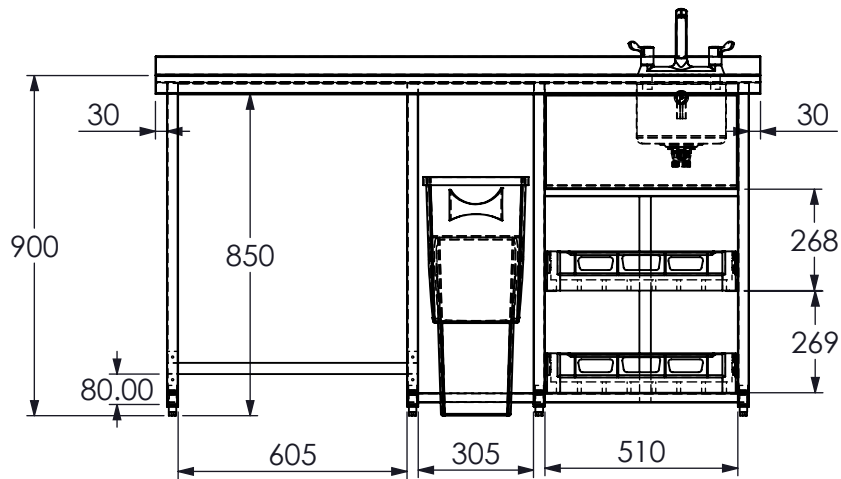
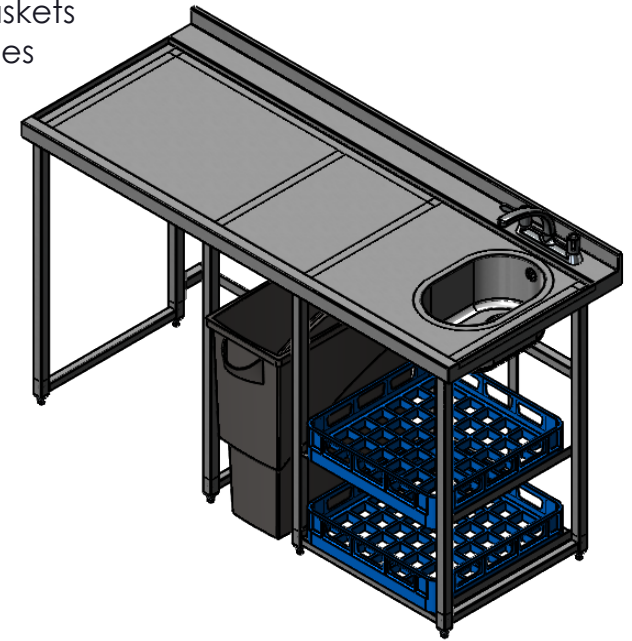
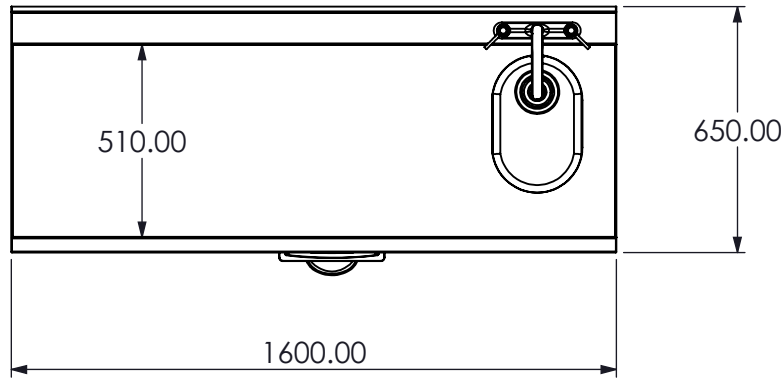


# MB-GS5 Assembly

Taps, Bin and Dishwasher Baskets shown for illustration purposes



REV	DESCRIPTION	DATE
1		
2		
3		
4		
5		



**PRODUCT:** MB-GS5 Station  
**PART NAME:** MB-GS5 Station  
**DWG LOCATION:** I:\1 PRODUCT RANGE\MODULAR BAR\Glasswash Station\500\  
**CONFIG:** N/A  
**COPYRIGHT** © PARRY CATERING EQUIPMENT (MIDLANDS) LTD

**DRAWN:** StefanL  
**REVISION:** 1  
**CREATION DATE:** 08/06/2015  
**LAST UPDATED:** 07/06/2023

Unless otherwise specified dimensions are in millimeters.  
 Tolerance: ±0.5  
 Angular: ±0.5  
 PD = Paper Down  
 PU = Paper Up  
 BD = Burrs Down  
 BU = Burrs Up  
 No allowance has been made on the drawing for push through values.

Please allow the following for stainless steel bends in a 10mm V:  
 Steel Push Through Value  
 0.8MM S/S = 0.92MM  
 0.9MM S/S = 0.92MM  
 1.2MM S/S = 1.27MM  
 1.5MM S/S = 1.45MM  
 2.0MM S/S = 1.74MM  
 For any other materials or V sizes please see the Amada Handbook